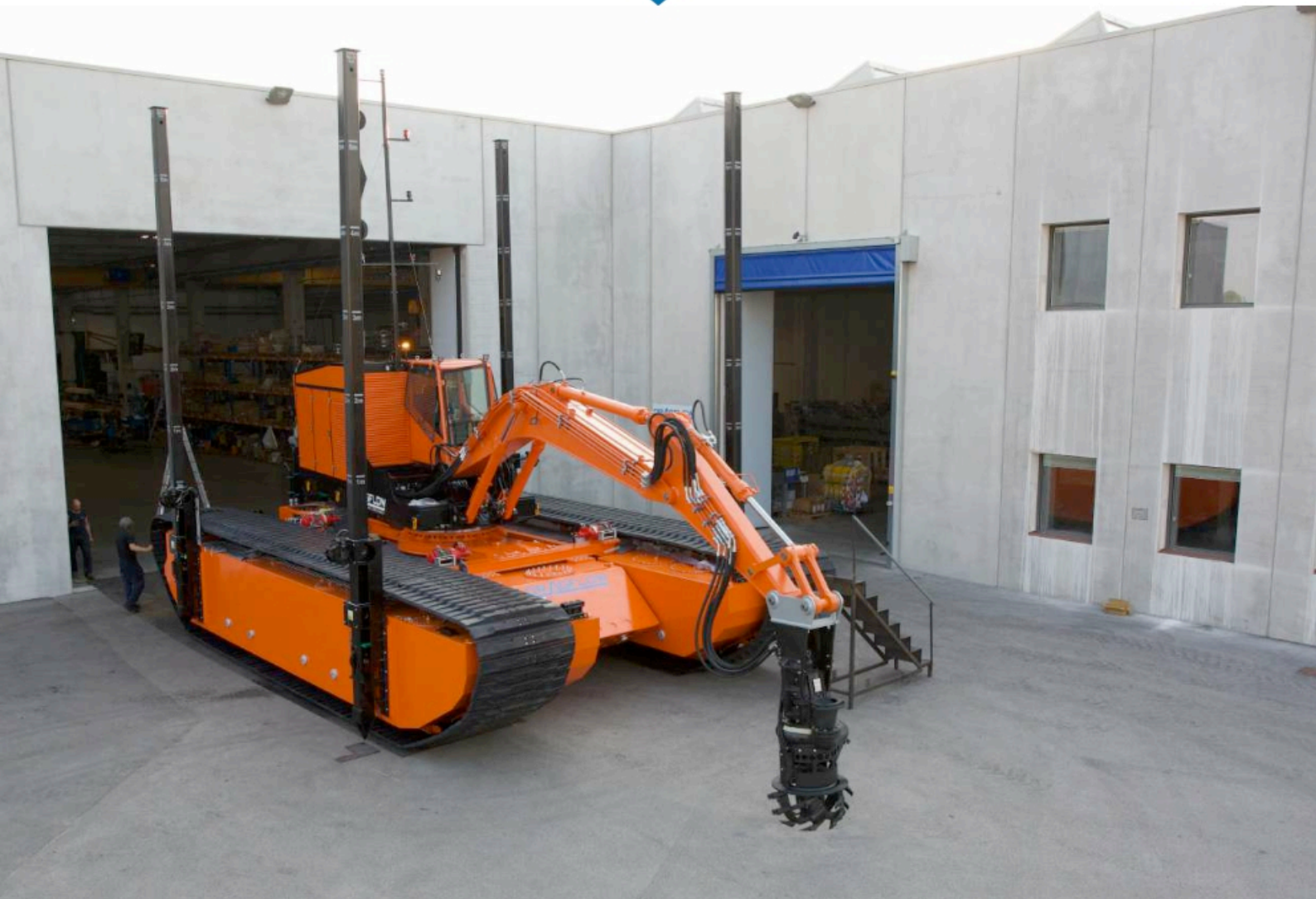


# DRM85/180

## DRAGFLOW

ULTIMATE EFFICIENCY



DRM85/180 (Multi-Purpose series) represents a step over on approach of dredging technique. The extreme mobility in any kind of swamp, together with the full floatability, allow to reach the most remote locations otherwise impossible to get with any other equipment.

Pumping capacity up to 1000 m<sup>3</sup>/h with delivery distance up to 1000 meters or more can make possible to perform works with the highest productivity ever. The combination of such equipment with the DRAGFLOW dredging technology makes the DRM unbeatable in terms of efficiency and durability.

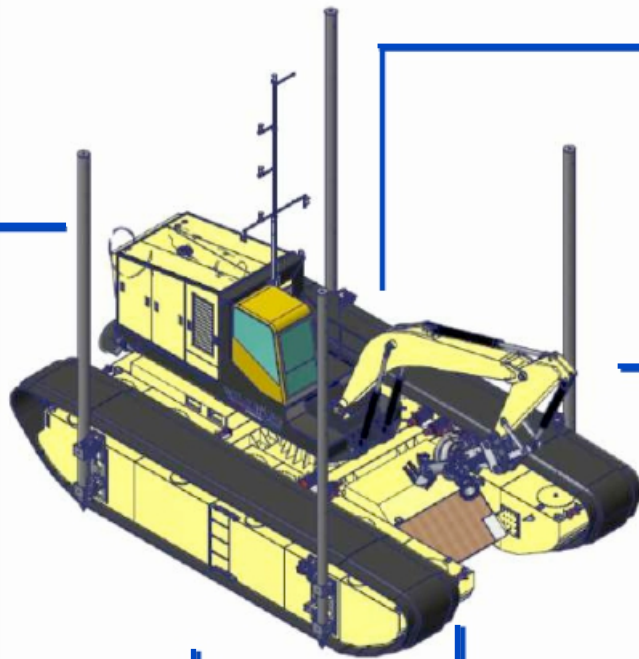
# THE DREDGE

## Hydraulic Power Pack

- Sound proof canopy
- IVECO diesel engine
- Closed hydraulic circuit
- REXROTH-BOSCH or SAUER oil pump
- Completely customizable hydraulic circuits

## Operator Cabin

- Complete control panel
- Heating and air conditioning
- Ergonomic seat
- Safety equipment
- Equipment status
- Emergency stop controls



## Hydraulic Arm

- Precisely moves pump up and down
- Depth measuring pulley
- Possibility to install other hydraulic tools

## Winches (x4)

- For moving the dredge
- Steel cables
- Optional propeller
- Stabilizer Spuds (x4)

## Floaters

- Two pontoons 11x2x1,5m
- Small draft



Our dredge can be equipped with different dredging tools, such as excavators and cutter

# ATTACHMENTS



## Backhoe Bucket 700 lt

- N. 4 teeth type Cat J300
- Cap. Sae: 700 lt
- Weight: 580 kg
- Double base in S355



## Bucket Rake

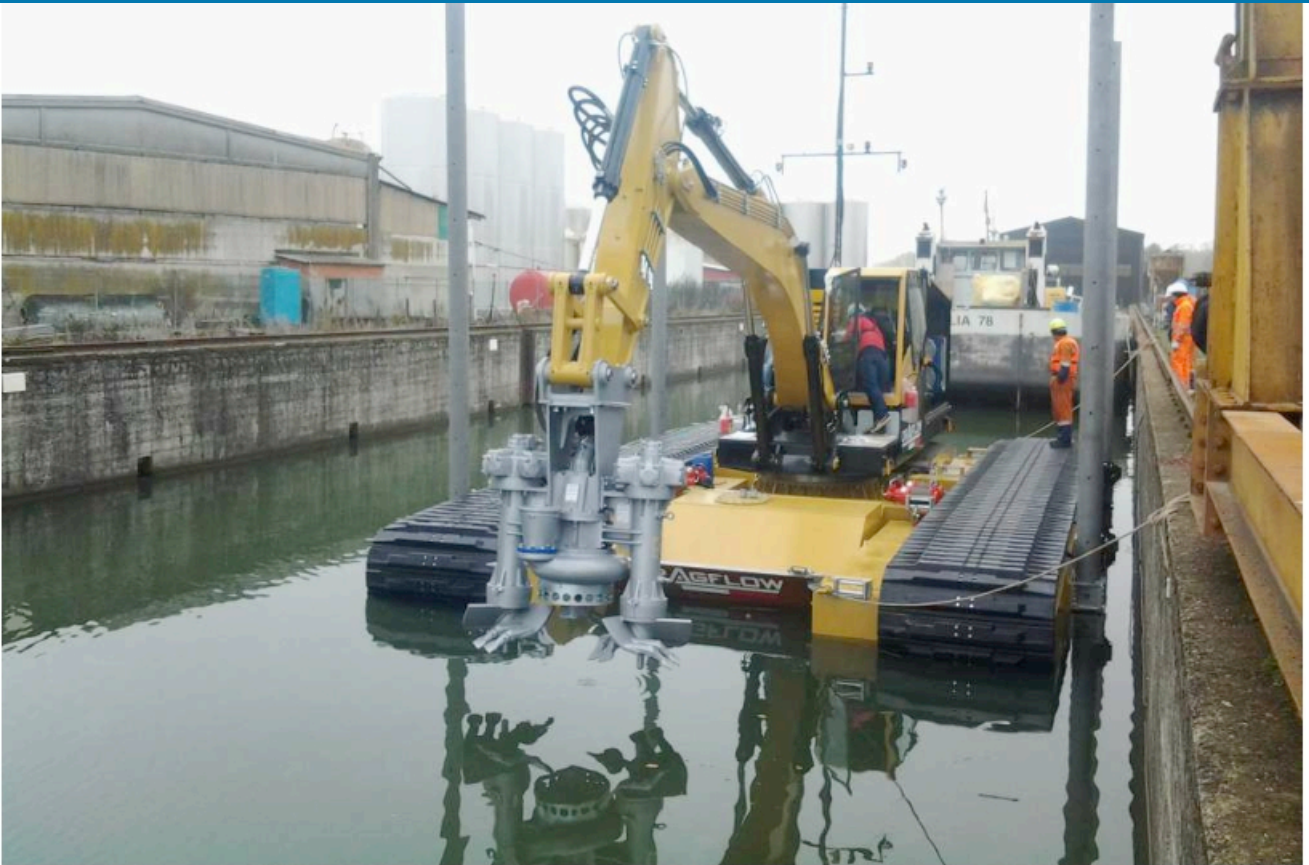
- N. 11 teeth type Cat J300
- Weight: 1200 kg
- Distance between tips: 200 mm aprox



## Hydraulic cutter head DTM85

- Hydraulic motor Radial piston
- Displacement [cc] 1240
- R.P.M. 30
- Capacity (l/min) 40
- Max Torque (Nm) 5300
- Additional Weight (kg) 350
- Tooth system materials
- Harder and tougher alloy steel.

# DREDGING PUMP



## HY85/180

Max capacity: 1000m<sup>3</sup>/l  
Max head: 40 m  
Discharge diameter (DN): 200 mm  
Max solid handling: 60mm Delivery  
distance: up to 1000 m

### HYDRAULIC MOTOR

Motor displacement [cc]	180
Max. oil flow rate[l/min - (l)]	260
Max. pressure [bar - (psi)]	300
Power [kW]	130

